

A
STR
C
D
E
F
G
H
I
J
K
L
M
N
O
P

SECTION STR

STARTING SYSTEM

CONTENTS

<p>PRECAUTION 2</p> <p>PRECAUTIONS 2</p> <p style="padding-left: 20px;">Precaution for Supplemental Restraint System (SRS) "AIR BAG" and "SEAT BELT PRE-TENSIONER"2</p> <p style="padding-left: 20px;">Precaution Necessary for Steering Wheel Rotation after Battery Disconnect2</p> <p>PREPARATION 4</p> <p>PREPARATION 4</p> <p style="padding-left: 20px;">Special Service Tools4</p> <p style="padding-left: 20px;">Commercial Service Tools4</p> <p>SYSTEM DESCRIPTION 5</p> <p>COMPONENT PARTS 5</p> <p>VQ37VHR5</p> <p style="padding-left: 20px;">VQ37VHR : Component Parts Location5</p> <p style="padding-left: 20px;">VQ37VHR : Component Description5</p> <p>VK56VD5</p> <p style="padding-left: 20px;">VK56VD : Component Parts Location6</p> <p style="padding-left: 20px;">VK56VD : Component Description6</p> <p>SYSTEM 7</p> <p style="padding-left: 20px;">System Diagram7</p> <p style="padding-left: 20px;">System Description7</p> <p>WIRING DIAGRAM 8</p> <p>STARTING SYSTEM 8</p> <p style="padding-left: 20px;">Wiring Diagram8</p> <p>BASIC INSPECTION13</p> <p>DIAGNOSIS AND REPAIR WORKFLOW13</p>	<p style="padding-left: 20px;">Work Flow13</p> <p>DTC/CIRCUIT DIAGNOSIS16</p> <p>B TERMINAL CIRCUIT16</p> <p style="padding-left: 20px;">Description16</p> <p style="padding-left: 20px;">Diagnosis Procedure16</p> <p>S CONNECTOR CIRCUIT17</p> <p style="padding-left: 20px;">Description17</p> <p style="padding-left: 20px;">Diagnosis Procedure17</p> <p>SYMPTOM DIAGNOSIS18</p> <p>STARTING SYSTEM18</p> <p style="padding-left: 20px;">Symptom Table18</p> <p>REMOVAL AND INSTALLATION19</p> <p>STARTER MOTOR19</p> <p>VQ37VHR19</p> <p style="padding-left: 20px;">VQ37VHR : Exploded View19</p> <p style="padding-left: 20px;">VQ37VHR : Removal and Installation (2WD)20</p> <p style="padding-left: 20px;">VQ37VHR : Removal and Installation (AWD)21</p> <p style="padding-left: 20px;">VQ37VHR : Inspection22</p> <p>VK56VD22</p> <p style="padding-left: 20px;">VK56VD : Exploded View22</p> <p style="padding-left: 20px;">VK56VD : Removal and Installation24</p> <p style="padding-left: 20px;">VK56VD : Inspection24</p> <p>SERVICE DATA AND SPECIFICATIONS (SDS)26</p> <p>SERVICE DATA AND SPECIFICATIONS (SDS)26</p> <p style="padding-left: 20px;">Starter Motor26</p>
--	--

PRECAUTIONS

< PRECAUTION >

PRECAUTION

PRECAUTIONS

Precaution for Supplemental Restraint System (SRS) "AIR BAG" and "SEAT BELT PRE-TENSIONER"

INFOID:000000006067086

The Supplemental Restraint System such as "AIR BAG" and "SEAT BELT PRE-TENSIONER", used along with a front seat belt, helps to reduce the risk or severity of injury to the driver and front passenger for certain types of collision. This system includes seat belt switch inputs and dual stage front air bag modules. The SRS system uses the seat belt switches to determine the front air bag deployment, and may only deploy one front air bag, depending on the severity of a collision and whether the front occupants are belted or unbelted. Information necessary to service the system safely is included in the "SRS AIR BAG" and "SEAT BELT" of this Service Manual.

WARNING:

- To avoid rendering the SRS inoperative, which could increase the risk of personal injury or death in the event of a collision that would result in air bag inflation, all maintenance must be performed by an authorized NISSAN/INFINITI dealer.
- Improper maintenance, including incorrect removal and installation of the SRS, can lead to personal injury caused by unintentional activation of the system. For removal of Spiral Cable and Air Bag Module, see the "SRS AIR BAG".
- Do not use electrical test equipment on any circuit related to the SRS unless instructed to in this Service Manual. SRS wiring harnesses can be identified by yellow and/or orange harnesses or harness connectors.

PRECAUTIONS WHEN USING POWER TOOLS (AIR OR ELECTRIC) AND HAMMERS

WARNING:

- When working near the Air Bag Diagnosis Sensor Unit or other Air Bag System sensors with the ignition ON or engine running, DO NOT use air or electric power tools or strike near the sensor(s) with a hammer. Heavy vibration could activate the sensor(s) and deploy the air bag(s), possibly causing serious injury.
- When using air or electric power tools or hammers, always switch the ignition OFF, disconnect the battery, and wait at least 3 minutes before performing any service.

Precaution Necessary for Steering Wheel Rotation after Battery Disconnect

INFOID:000000006067087

NOTE:

- Before removing and installing any control units, first turn the push-button ignition switch to the LOCK position, then disconnect both battery cables.
- After finishing work, confirm that all control unit connectors are connected properly, then re-connect both battery cables.
- Always use CONSULT-III to perform self-diagnosis as a part of each function inspection after finishing work. If a DTC is detected, perform trouble diagnosis according to self-diagnosis results.

For vehicle with steering lock unit, if the battery is disconnected or discharged, the steering wheel will lock and cannot be turned.

If turning the steering wheel is required with the battery disconnected or discharged, follow the operation procedure below before starting the repair operation.

OPERATION PROCEDURE

1. Connect both battery cables.

NOTE:

Supply power using jumper cables if battery is discharged.

2. Turn the push-button ignition switch to ACC position.
(At this time, the steering lock will be released.)
3. Disconnect both battery cables. The steering lock will remain released with both battery cables disconnected and the steering wheel can be turned.
4. Perform the necessary repair operation.

PRECAUTIONS

< PRECAUTION >

5. When the repair work is completed, re-connect both battery cables. With the brake pedal released, turn the push-button ignition switch from ACC position to ON position, then to LOCK position. (The steering wheel will lock when the push-button ignition switch is turned to LOCK position.)
6. Perform self-diagnosis check of all control units using CONSULT-III.

A

STR

C

D

E

F

G

H

I

J

K

L

M

N

O

P

PREPARATION


< PREPARATION >

PREPARATION

PREPARATION


Special Service Tools

INFOID:000000006067088

Tool number (Kent-Moore No.) Tool name	Description
<p>— (J-44373 Model MCR620) Starting/Charging System Tester</p>  <p>SEL403X</p>	<p>Tests starting and charging systems. For operating instructions, refer to Technical Service Bulletin.</p>

Commercial Service Tools

INFOID:000000006067089

Tool name	Description
<p>Power tool</p>  <p>PIIB1407E</p>	<p>Loosening bolts, nuts and screws</p>

COMPONENT PARTS

< SYSTEM DESCRIPTION >

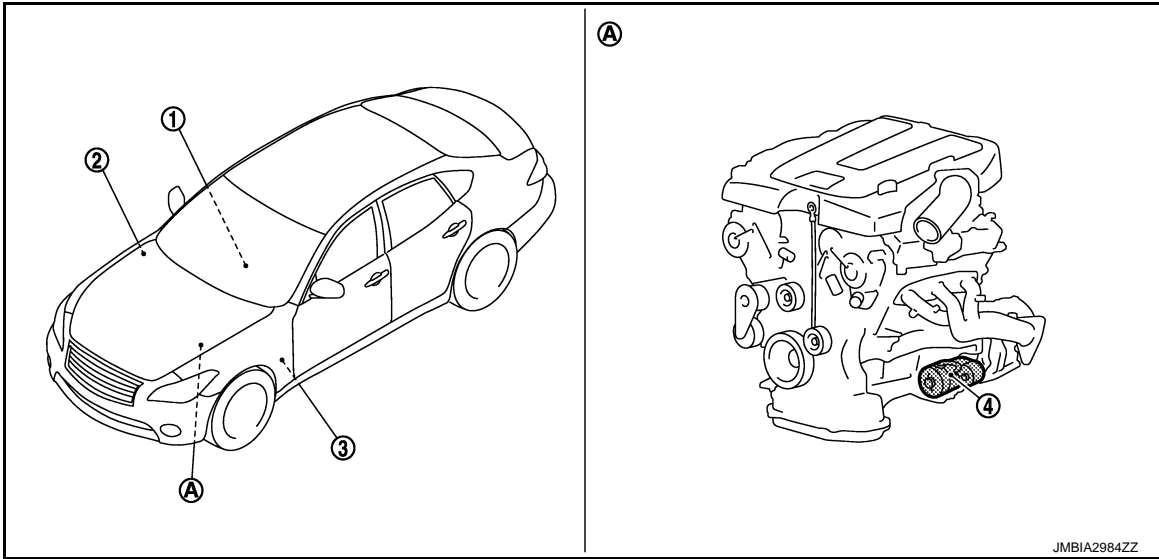
SYSTEM DESCRIPTION

COMPONENT PARTS

VQ37VHR

VQ37VHR : Component Parts Location

INFOID:000000006064385



- 1. TCM
Refer to [TM-8, "A/T CONTROL SYSTEM : Component Parts Location"](#).
- 2. IPDM E/R
Refer to [PCS-5, "IPDM E/R : Component Parts Location"](#).
- 3. BCM
Refer to [BCS-4, "BODY CONTROL SYSTEM : Component Parts Location"](#).
- 4. Starter motor
- A. Engine

VQ37VHR : Component Description

INFOID:000000006064386

Component part	Description
TCM	TCM supplies power to the starter relay and starter control relay inside IPDM E/R when the selector lever is shifted to the P or N position.
BCM	BCM controls the starter relay inside IPDM E/R.
IPDM E/R	CPU inside IPDM E/R controls the starter control relay.
Starter motor	The starter motor plunger closes and the motor is supplied with battery power, which in turn cranks the engine, when the "S" terminal is supplied with electric power.

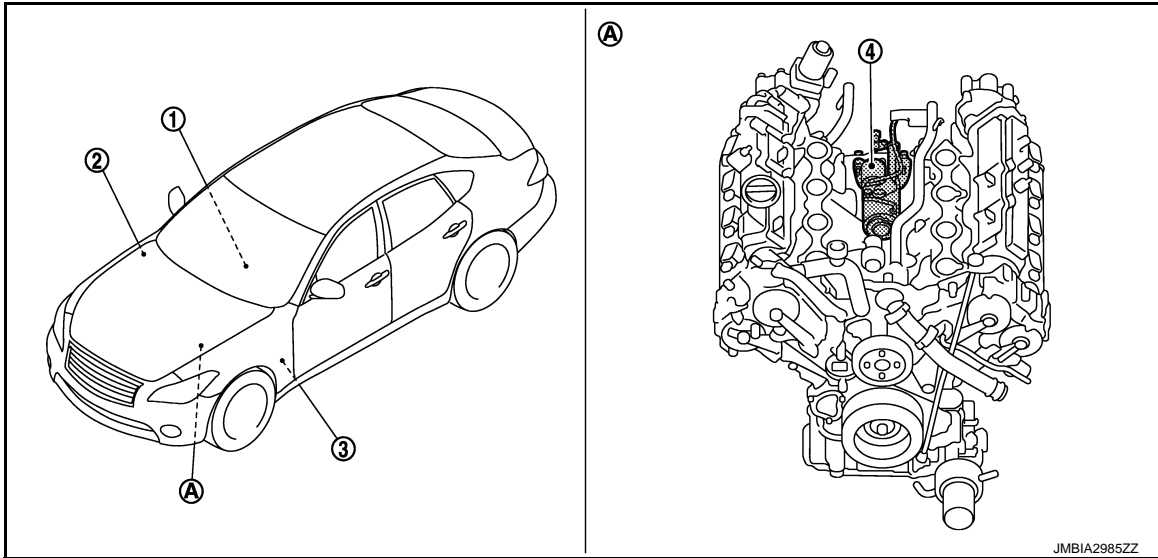
VK56VD

COMPONENT PARTS

< SYSTEM DESCRIPTION >

VK56VD : Component Parts Location

INFOID:000000006067765



- 1. TCM
Refer to [TM-8. "A/T CONTROL SYSTEM : Component Parts Location"](#).
- 2. IPDM E/R
Refer to [PCS-5. "IPDM E/R : Component Parts Location"](#).
- 3. BCM
Refer to [BCS-4. "BODY CONTROL SYSTEM : Component Parts Location"](#).
- 4. Starter motor
- A. Engine

VK56VD : Component Description

INFOID:000000006067763

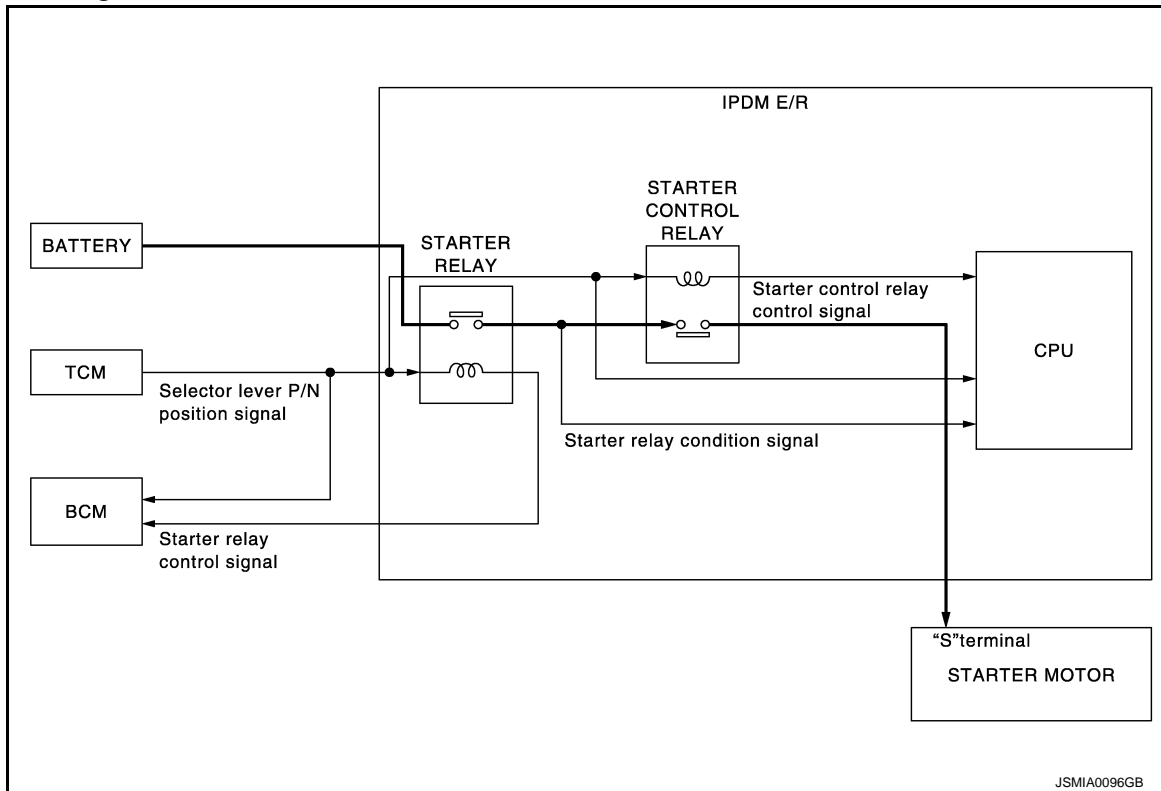
Component part	Description
TCM	TCM supplies power to the starter relay and starter control relay inside IPDM E/R when the selector lever is shifted to the P or N position.
BCM	BCM controls the starter relay inside IPDM E/R.
IPDM E/R	CPU inside IPDM E/R controls the starter control relay.
Starter motor	The starter motor plunger closes and the motor is supplied with battery power, which in turn cranks the engine, when the "S" terminal is supplied with electric power.

SYSTEM

< SYSTEM DESCRIPTION >

SYSTEM

System Diagram



System Description

INFOID:000000006064388

- When selector lever is P or N, power is supplied to starter relay and starter control relay by TCM. And BCM and IPDM E/R (CPU) detect selector lever P/N condition by the inputted signal.
- When starter operating condition is satisfied, IPDM E/R turns starter control relay ON by starter control relay control signal.
- When engine cranking condition is satisfied, BCM turns starter relay ON by starter relay control signal.
- Then battery power is supplied to starter motor ("S" terminal) through starter control relay and starter relay. And IPDM E/R (CPU) detect starter relay condition by the inputted signal.

STARTING SYSTEM

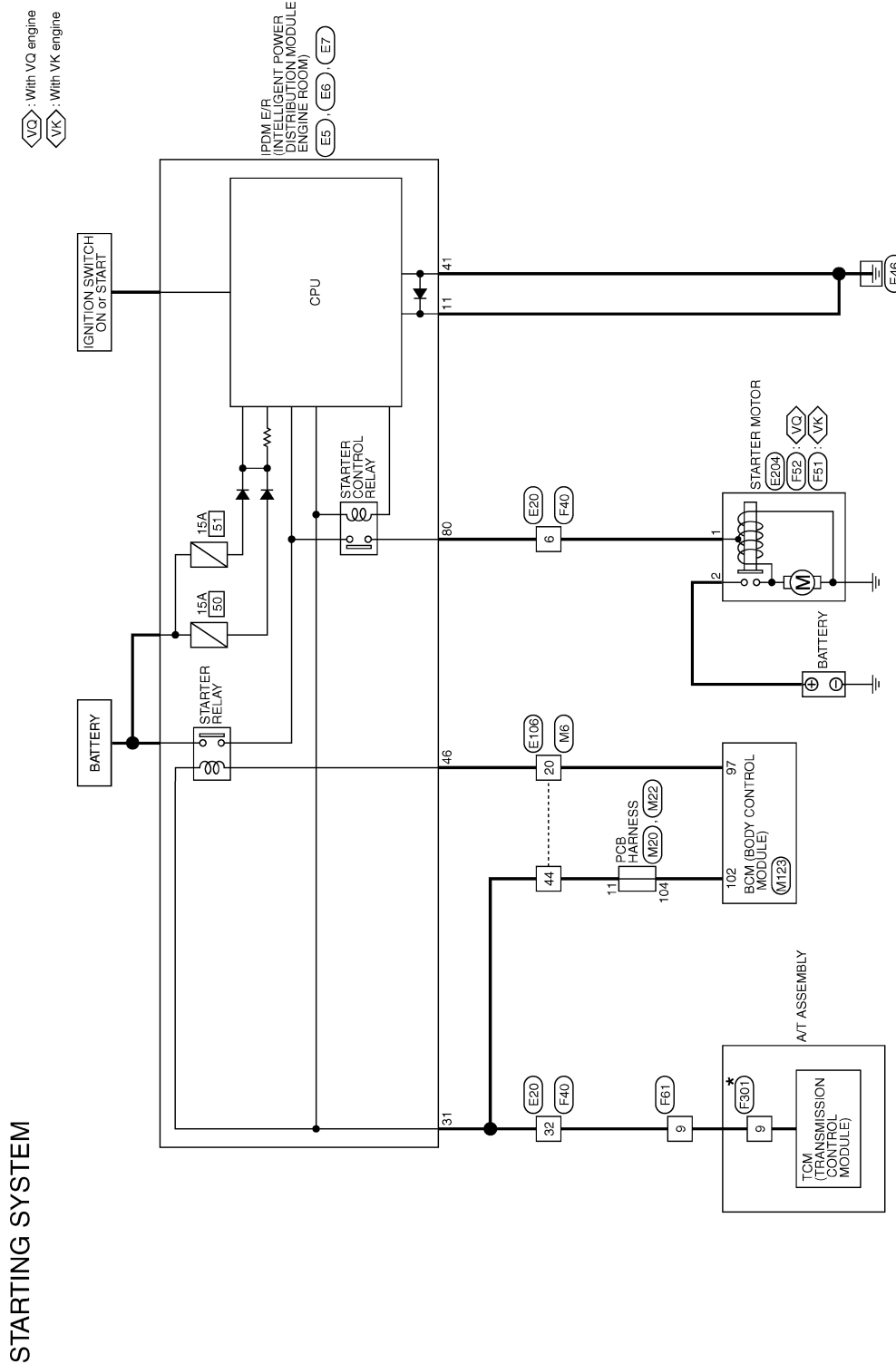
< WIRING DIAGRAM >

WIRING DIAGRAM

STARTING SYSTEM

Wiring Diagram

INFOID:000000006064389



*: This connector is not shown in "Harness Layout".

STARTING SYSTEM

STARTING SYSTEM

< WIRING DIAGRAM >

A

STR

C

D

E

F

G

H

I

J

K

L

M

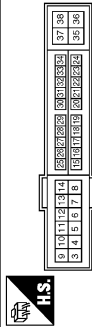
N

O

P

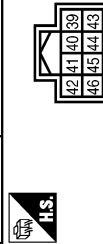
STARTING SYSTEM

Connector No.	E5
Connector Name	IPD/E/R INTELLIGENT POWER DISTRIBUTION MODULE (ENGINE ROOM)
Connector Type	TH20FW-CS12-M4-IV



Terminal No.	Color of Wire	Signal Name [Specification]
4	W	-
5	P	-
6	R	-
7	Y	-
8	L	-
10	V	-
11	B	-
12	G	-
13	GR	-
16	V	-
18	Y	-
22	BR	-
23	SB	-
24	O	-
25	LG	-
30	BR	-
31	W	-
32	L	-
34	P	-
36	GR	-

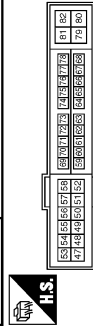
Connector No.	E6
Connector Name	IPD/E/R INTELLIGENT POWER DISTRIBUTION MODULE (ENGINE ROOM)
Connector Type	TH08FW-NH



Terminal No.	Color of Wire	Signal Name [Specification]
38	P	-
40	L	-

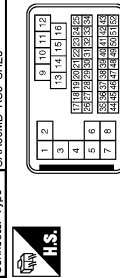
41	B	-
42	V	-
43	SB	-
44	GR	-
45	G	-
46	BR	-

Connector No.	E7
Connector Name	IPD/E/R INTELLIGENT POWER DISTRIBUTION MODULE (ENGINE ROOM)
Connector Type	TH20FW-CS12-M4



Terminal No.	Color of Wire	Signal Name [Specification]
20	BR	-
21	G	-
22	O	-
51	O	-
52	G	-
53	L	-
54	P	-
55	R	-
56	GR	-
57	V	-
58	BR	-
70	LG	-
71	O	-
73	G	-
74	R	-
75	Y	-
77	B	-
80	W	-

Connector No.	E20
Connector Name	WIRE TO WIRE
Connector Type	SAA38MB-RSE-SH28



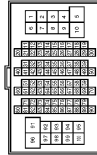
Terminal No.	Color of Wire	Signal Name [Specification]
1	L/W	-
2	SHIELD	-
3	L/B	-
4	SHIELD	-
5	L/W	-
6	W	-
7	L/B	-
9	P	-
10	G	-
11	W	- [With VK engine]
12	V	- [With VQ engine]
13	L	-
14	LG	- [With VK engine]
14	V	- [With VQ engine]
15	S/S	-
16	GR	-
19	W	-
20	BR	-
21	G	-
22	O	-
23	L	-
24	GR	-
25	Y	-
26	V	-
28	Y	-
29	Y	-
30	B	-
31	LG	-
32	W	-
33	BR	-
34	O	-
37	SHIELD	-
38	G	-
39	Y	-
40	R	-
41	W	-
42	L	-
43	B	-
46	SHIELD	-
47	R	-
48	L	-
49	G	-
50	B	-
51	Y	-
52	W	-

STARTING SYSTEM

< WIRING DIAGRAM >

STARTING SYSTEM

Connector No.	E106
Connector Name	WIRE TO WIRE
Connector Type	TH80PW-CS16-TM4



Terminal No.	Color of Wire	Signal Name [Specification]
1	P	-
2	W	-
3	SB	-
4	LG	-
5	O	-
7	GR	-
8	GR	-
9	Y	-
10	BR	-
11	SB	-
12	V	-
13	GR	-
14	GR	-
15	V	-
16	Y	-
17	GR	-
18	V	-
20	BR	-
21	P	-
22	L	-
23	P	-
27	SHIELD	-
28	L/O	-
29	W/L	-
31	BR	-
32	G	-
33	O	-
34	Y	-
40	BR	-
41	BR	-
42	L	-
43	P	-
44	W	-
45	L	-
46	GR	-
47	V	-
48	G	-
49	O	-

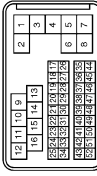


Connector No.	E204
Connector Name	STARTER MOTOR
Connector Type	-



Terminal No.	2	Color of Wire	B/Y	Signal Name [Specification]
--------------	---	---------------	-----	-----------------------------

Connector No.	F40
Connector Name	WIRE TO WIRE
Connector Type	SA4-38FB-RSS-SHZ8



Terminal No.	Color of Wire	Signal Name [Specification]
1	L/W	-
2	SHIELD	-
3	L/B	-
4	SHIELD	-
5	L/W	-
6	R	- [With VK engine]
7	L/B	- [With VQ engine]
9	W	-
10	G	-
11	G	- [With VK engine]
11	R	- [With VQ engine]
12	W	-
13	P	-
14	Y	-
15	R	-
16	O	-
16	Y	- [With VK engine]
19	W	- [With VQ engine]
19	L	- [With VQ engine]
20	W	-
21	G	-
22	W	-
23	L	-
24	Y	-
25	LG	-
28	R	-
29	W	-
30	B	-
31	W	-
32	LG	- [With VK engine]
32	GR	- [With VQ engine]
33	Y	- [With VK engine]
33	P	- [With VQ engine]
34	O	-
37	SHIELD	-
38	L/G	- [With VK engine]
38	G	- [With VQ engine]

39	L/Y	- [With VK engine]
39	P	- [With VQ engine]
40	W/L	- [With VK engine]
40	R	- [With VQ engine]
41	O/L	- [With VK engine]
41	W	- [With VQ engine]
42	O	- [With VK engine]
42	LG	- [With VQ engine]
43	W	- [With VK engine]
43	B	- [With VQ engine]
46	SHIELD	-
47	L/G	- [With VK engine]
47	W	- [With VQ engine]
48	L/Y	- [With VK engine]
48	BR	- [With VQ engine]
49	W/L	- [With VK engine]
49	O/L	- [With VQ engine]
50	O/L	- [With VK engine]
50	W/L	- [With VQ engine]
51	O	- [With VK engine]
51	SB	- [With VQ engine]
52	W	- [With VK engine]
52	O	- [With VQ engine]

Connector No.	F51
Connector Name	STARTER MOTOR
Connector Type	X01FGY



Terminal No.	1	Color of Wire	R	Signal Name [Specification]
--------------	---	---------------	---	-----------------------------

JCBWA1661GB

STARTING SYSTEM

< WIRING DIAGRAM >

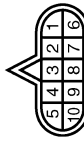
STARTING SYSTEM

Connector No.	F52
Connector Name	STARTER MOTOR
Connector Type	X01MGY



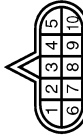
Terminal No.	Color of Wire	Signal Name [Specification]
1	W	-

Connector No.	F61
Connector Name	A/T ASSEMBLY
Connector Type	RK1DFG-DGY



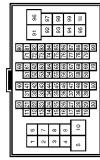
Terminal No.	Color of Wire	Signal Name [Specification]
1	Y	-
2	R	-
3	L	-
4	V	-
5	B	-
6	G	-
7	SB	-
8	P	-
9	LG	-
10	B	-

Connector No.	F501
Connector Name	TOM (TRANSMISSION CONTROL MODULE)
Connector Type	SP1DFG



Terminal No.	Color of Wire	Signal Name [Specification]
1	W	VIGN
2	B	BATT
3	R	CAN-H
4	O	KLINE
5	G	GND
6	GR	VIGN
7	L	REV LAMP RLY
8	BR	CAN-L
9	Y	START RLY
10	W/B	GND

Connector No.	M6
Connector Name	WIRE TO WIRE
Connector Type	TH60MW-CS (F-TM)

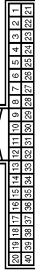


Terminal No.	Color of Wire	Signal Name [Specification]
1	W	-
2	W	-
3	SB	-
4	LG	-
5	W	-
7	BG	-
8	G	-
9	Y	-
10	W	-
11	R	-
12	V	-
13	LG	-

Terminal No.	Color of Wire	Signal Name [Specification]
14	L	-
15	V	-
16	B	-
17	GR	-
18	Y	-
20	SB	-
21	BR	-
22	L	-
23	P	-
27	SHIELD	-
28	V	-
29	SB	-
31	BG	-
32	P	-
33	R	-
34	BG	-
40	BR	-
41	BR	-
42	L	-
43	P	-
44	BR	-
45	Y	-
46	BG	-
47	V	-
48	G	-
49	BG	-
50	W	-
60	GR	-
61	B	-
62	LG	-
63	BR	-
64	L	-
65	R	-
66	P	-
67	L	-
77	B	-
78	V	-
80	G	-
81	L	-
82	B	-
83	BG	-
84	SB	-
85	Y	-
86	L	-
87	V	-
88	V	-
89	LG	-
90	BG	-
91	W	-
92	BG	-
93	G	-
94	Y	-

95	W	-
96	R	-
97	SB	-
98	R	-
99	W	-
100	L	-

Connector No.	M20
Connector Name	PCB HARNESS
Connector Type	TH4QFB-NH



Terminal No.	Color of Wire	Signal Name [Specification]
1	B	-
11	BR	-
12	R	-
14	L	-
15	B	-
17	R	-
19	W	-
20	R	-
21	B	-
22	R	-
23	L	-
24	L	-
27	P	-
30	SHIELD	-
31	V	-
33	V	-
35	L	-
36	P	-
38	L	-
40	Y	-

STARTING SYSTEM

< WIRING DIAGRAM >

STARTING SYSTEM

Connector No.	M22
Connector Name	POB HARNESS
Connector Type	TH40FB-RH



71	72	73	74	75	76	77	78	79	80	81	82	83	84	85	86	87	88	89	90	91	92	93	94	95	96	97	98	99	100	101	102	103	104	105	106	107	108	109	110	111	112	113	114	115	116	117	118	119	120
----	----	----	----	----	----	----	----	----	----	----	----	----	----	----	----	----	----	----	----	----	----	----	----	----	----	----	----	----	-----	-----	-----	-----	-----	-----	-----	-----	-----	-----	-----	-----	-----	-----	-----	-----	-----	-----	-----	-----	-----

Terminal No.	Color of Wire	Signal Name [Specification]
81	L	-
82	P	-
83	B	-
84	B	-
85	B	-
86	B	-
87	B	-
88	B	-
89	Y	-
91	V	-
92	V	-
93	B	-
94	B	-
95	LG	-
96	BR	-
97	G	-
98	G	-
99	G	-
100	G	-
101	L	-
102	P	-
103	B	-
104	BR	-
105	R	-
107	Y	-
108	Y	-
109	BR	-
110	Y	-
112	B	-
113	P	-
114	L	-
116	B	-
117	B	- [With VK engine]
117	BG	- [With VQ engine]
118	B	-
119	G	-
120	V	-

Connector No.	M123
Connector Name	BCM (BODY CONTROL MODULE)
Connector Type	TH40FW-RH



71	72	73	74	75	76	77	78	79	80	81	82	83	84	85	86	87	88	89	90	91	92	93	94	95	96	97	98	99	100	101	102	103	104	105	106	107	108	109	110	111	112	113	114	115	116	117	118	119	120
----	----	----	----	----	----	----	----	----	----	----	----	----	----	----	----	----	----	----	----	----	----	----	----	----	----	----	----	----	-----	-----	-----	-----	-----	-----	-----	-----	-----	-----	-----	-----	-----	-----	-----	-----	-----	-----	-----	-----	-----

Terminal No.	Color of Wire	Signal Name [Specification]
72	B	OUTS: HD LAMP OUTPUT
73	V	ON IND
75	G	DR DOOR REQ SW
76	SB	PASS DOOR REQ SW
78	BR	DRIVER DOOR ANT+
79	SB	DRIVER DOOR ANT-
80	LG	PASSENGER DOOR ANT+
81	V	PASSENGER DOOR ANT-
82	V	REAR EMPR ANT+
83	SB	REAR EMPR ANT-
84	BR	ROOM ANT+
85	Y	ROOM ANT-
86	R	ROOM ANT+
87	C	ROOM ANT-
88	V	TRUNK ROOM ANT+
89	SB	TRUNK ROOM ANT-
90	R	PUSH-BTN IGN SW ILL PWR
91	GR	LOCK IND
92	B	PUSH-BTN IGN SW ILL GND
93	V	F-KEY WARN BUZZER
94	Y	S/L UNIT COMM
95	W	ACC RELAY SPLY
96	SB	ACC RELAY CONT
97	SB	STARTER RELAY CONT
98	B	IGN RELAY (PDM E/R) CONT
99	R	IGN RELAY (F/B) CONT
100	BR	PUSH SW
102	BR	P/N POSITION
104	GR	A/T SHIFT SELECT PWR SPLY
105	R	STOP LAMP SW 2
106	B	BLWR RELAY CONT
107	L	S/L CONDITION1
108	P	S/L CONDITION2
109	Y	ACC IND

JCBWA1663GB

DIAGNOSIS AND REPAIR WORKFLOW

< BASIC INSPECTION >

BASIC INSPECTION

DIAGNOSIS AND REPAIR WORKFLOW

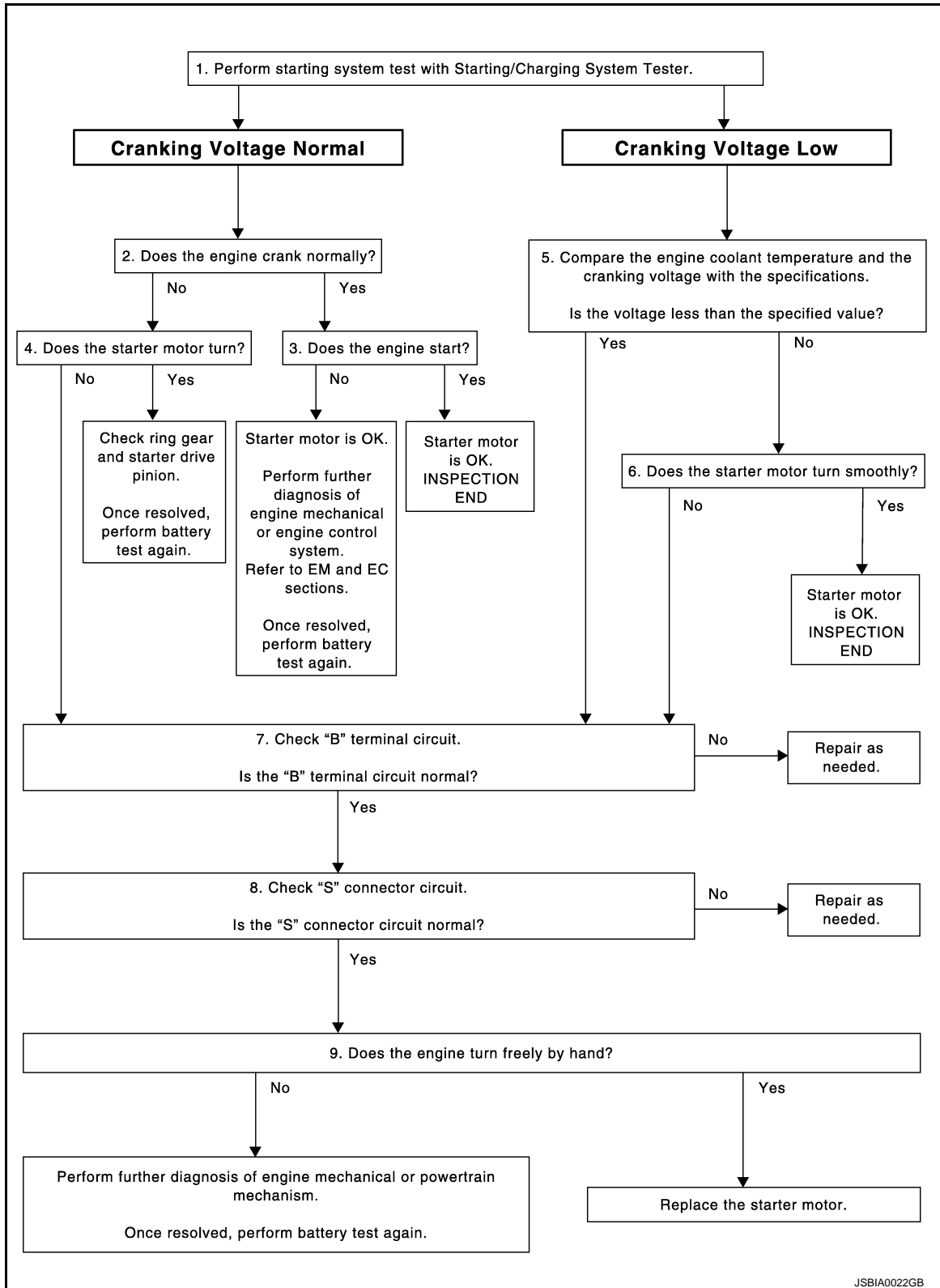
Work Flow

INFOID:000000006067091

A

STR

OVERALL SEQUENCE



C

D

E

F

G

H

I

J

K

L

M

N

O

P

DETAILED FLOW

DIAGNOSIS AND REPAIR WORKFLOW

< BASIC INSPECTION >

NOTE:

To ensure a complete and thorough diagnosis, the battery, starter motor and alternator test segments must be done as a set from start to finish.

1. DIAGNOSIS WITH STARTING/CHARGING SYSTEM TESTER

Perform the starting system test with Starting/Charging System Tester (SST: J-44373). For details and operating instructions, refer to Technical Service Bulletin.

Test result

CRANKING VOLTAGE NORMAL>>GO TO 2.

CRANKING VOLTAGE LOW>>GO TO 5.

CHARGE BATTERY>>Perform the slow battery charging procedure. (Initial rate of charge is 10A for 12 hours.) Perform battery test again. Refer to Technical Service Bulletin.

REPLACE BATTERY>>Before replacing battery, clean the battery cable clamps and battery posts. Perform battery test again. Refer to Technical Service Bulletin. If second test result is "REPLACE BATTERY", then do so. Perform battery test again to confirm repair.

2. CRANKING CHECK

Check that the starter motor operates correctly.

Does the engine crank normally?

YES >> GO TO 3.

NO >> GO TO 4.

3. ENGINE START CHECK

Check that the engine starts.

Does the engine start?

YES >> Starter motor is OK. INSPECTION END

NO >> Perform further diagnosis of engine mechanical or engine control system. Refer EM and EC sections. Once resolved, perform battery test again.

4. STARTER MOTOR ACTIVATION

Check that the starter motor operates.

Does the starter motor turn?

YES >> Check ring gear and starter motor drive pinion. Once resolved, perform battery test again.

NO >> GO TO 7.

5. COMPARISON BETWEEN ENGINE COOLANT AND CRANKING VOLTAGE

Compare the engine coolant temperature and the cranking voltage with the specifications.

Minimum Specification of Cranking Voltage Referencing Coolant Temperature

Engine coolant temperature [°C (°F)]	Voltage [V]
-30 to -20 (-22 to -4)	8.6
-19 to -10 (-2 to 14)	9.1
-9 to 0 (16 to 32)	9.5
More than 1 (More than 34)	9.9

Is the voltage less than the specified value?

YES >> GO TO 7.

NO >> GO TO 6.

6. STARTER OPERATION

Check the starter operation status.

Does the starter motor turn smoothly?

YES >> Starter motor is OK. INSPECTION END

NO >> GO TO 7.

7. "B" TERMINAL CIRCUIT INSPECTION

Check "B" terminal circuit. Refer to [STR-16, "Diagnosis Procedure"](#).

Is "B" terminal circuit normal?

DIAGNOSIS AND REPAIR WORKFLOW

< BASIC INSPECTION >

- YES >> GO TO 8.
- NO >> Repair as needed.

A

8. "S" CONNECTOR CIRCUIT INSPECTION

Check "S" connector circuit. Refer to [STR-17. "Diagnosis Procedure"](#).

Is "S" connector circuit normal?

- YES >> GO TO 9.
- NO >> Repair as needed.

STR

C

9. ENGINE ROTATION STATUS

Check that the engine can be rotated by hand.

Does the engine turn freely by hand?

- YES >> Replace starter motor.
- NO >> Perform further diagnosis of engine mechanical or powertrain mechanism. Once resolved, perform battery test again. Refer to Technical Service Bulletin.

D

E

F

G

H

I

J

K

L

M

N

O

P

B TERMINAL CIRCUIT

< DTC/CIRCUIT DIAGNOSIS >

DTC/CIRCUIT DIAGNOSIS

B TERMINAL CIRCUIT

Description

INFOID:000000006064391

The "B" terminal is constantly supplied with battery power.

Diagnosis Procedure

INFOID:000000006064392

CAUTION:

Perform diagnosis under the condition that engine cannot start by the following procedure.

1. Remove fuel pump fuse.
2. Crank or start the engine (where possible) until the fuel pressure is released.

1. CHECK "B" TERMINAL CIRCUIT

1. Turn ignition switch OFF.
2. Check that starter motor "B" terminal connection is clean and tight.
3. Check voltage between starter motor "B" terminal and ground.

Terminals		Voltage (Approx.)
(+)	(-)	
Starter motor "B" terminal	Terminal	Battery voltage
E204	2	
	Ground	

Is the inspection result normal?

YES >> GO TO 2.

NO >> Check harness between battery and starter motor for open circuit.

2. CHECK BATTERY CABLE CONNECTION STATUS (VOLTAGE DROP TEST)

1. Shift A/T selector lever to "P" or "N" position.
2. Check voltage between battery positive terminal and starter motor "B" terminal.

Terminals		Condition	Voltage (Approx.)
(+)	(-)		
	Starter motor "B" terminal	When the ignition switch is in START position	Less than 0.5 V
Battery positive terminal	E204		
	2		

Is the inspection result normal?

YES >> GO TO 3.

NO >> Check harness between the battery and the starter motor for poor continuity.

3. CHECK GROUND CIRCUIT STATUS (VOLTAGE DROP TEST)

1. Shift A/T selector lever to "P" or "N" position.
2. Check voltage between starter motor case and battery negative terminal.

Terminals		Condition	Voltage (Approx.)
(+)	(-)		
Starter motor case	Battery negative terminal	When the ignition switch is in START position	Less than 0.2 V

Is the inspection result normal?

YES >> "B" terminal circuit is OK. Further inspection is necessary. Refer to [STR-13, "Work Flow"](#).

NO >> Check the starter motor case and ground for poor continuity.

S CONNECTOR CIRCUIT

< DTC/CIRCUIT DIAGNOSIS >

S CONNECTOR CIRCUIT

Description

INFOID:000000006064393

The starter motor magnetic switch is supplied with power when the ignition switch is turned to the START position while the selector lever is in the P or N position.

STR

Diagnosis Procedure

INFOID:000000006064394

CAUTION:

Perform diagnosis under the condition that engine cannot start by the following procedure.

1. Remove fuel pump fuse.
2. Crank or start the engine (where possible) until the fuel pressure is released.

1.CHECK "S" CONNECTOR CIRCUIT

1. Turn ignition switch OFF.
2. Disconnect starter motor connector.
3. Shift A/T selector lever to "P" or "N" position.
4. Check voltage between starter motor harness connector and ground.

Terminals		(-)	Condition	Voltage (Approx.)
(+)	Terminal			
Starter motor harness connector	1	Ground	When the ignition switch is in START position	Battery voltage
F51 (VK56VD) F52 (VQ37VHR)				

Is the inspection result normal?

- YES >> "S" connector circuit is OK. Further inspection is necessary. Refer to [STR-13, "Work Flow"](#).
NO >> GO TO 2.

2.CHECK HARNESS CONTINUITY (OPEN CIRCUIT)

1. Disconnect IPDM E/R connector.
2. Check continuity between starter motor harness connector and IPDM E/R harness connector.

Starter motor harness connector		IPDM E/R harness connector		Continuity
Connector No.	Terminal No.	Connector No.	Terminal No.	
F51 (VK56VD) F52 (VQ37VHR)	1	E7	80	Existed

Is the inspection result normal?

- YES >> Further inspection is necessary. Refer to [SEC-50, "Work Flow"](#) in SEC section.
NO >> Repair the harness.

STARTING SYSTEM

< SYMPTOM DIAGNOSIS >

SYMPTOM DIAGNOSIS

STARTING SYSTEM

Symptom Table

INFOID:000000006064395

Symptom	Reference
No normal cranking	Refer to STR-13. "Work Flow" .
Starter motor does not rotate	

STARTER MOTOR

< REMOVAL AND INSTALLATION >

REMOVAL AND INSTALLATION

STARTER MOTOR

VQ37VHR

VQ37VHR : Exploded View

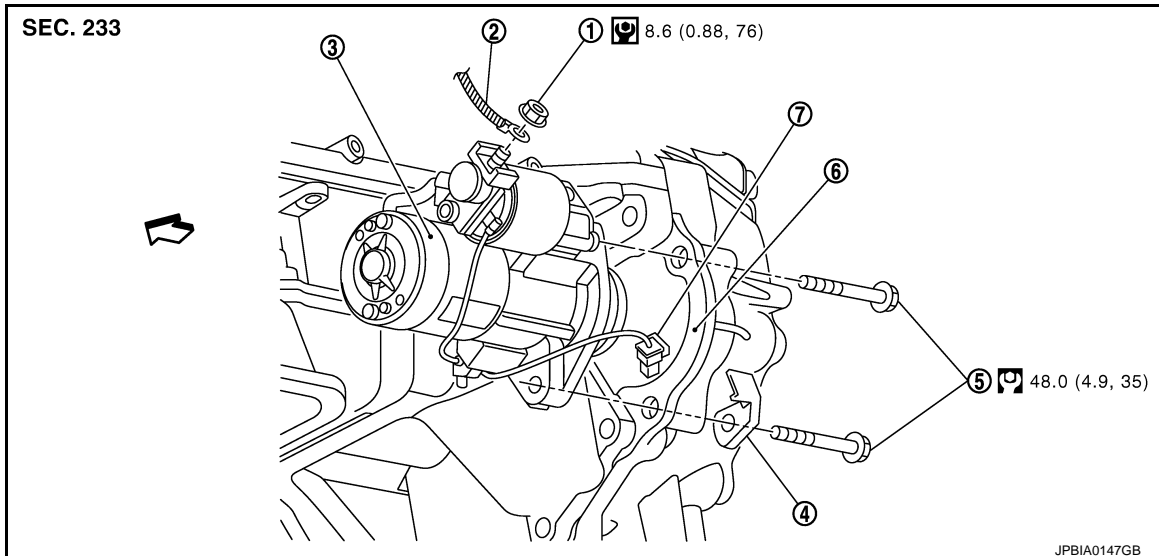
INFOID:000000006067093

A

STR

REMOVAL

C



D

E

F

G

H

- | | | |
|-------------------------|--------------------------------|----------------------|
| 1. Terminal B nut | 2. Terminal B harness | 3. Starter motor |
| 4. Harness clip bracket | 5. Starter motor mounting bolt | 6. Converter housing |
| 7. Connector S | | |

I

⇐: Engine front

J

Refer to [GI-4, "Components"](#) for symbols in the figure.

K

L

M

N

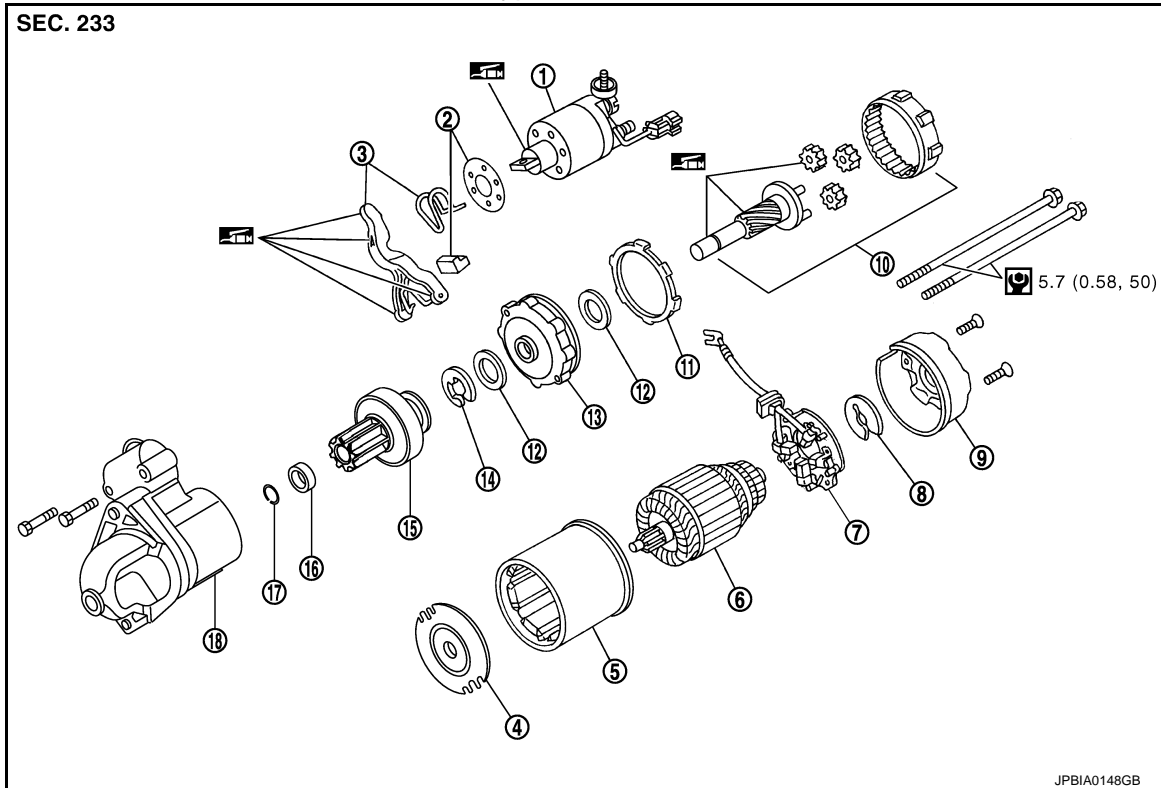
O

P

STARTER MOTOR

< REMOVAL AND INSTALLATION >

Type: S114-932



- | | | |
|-----------------------------|-------------------------|------------------------|
| 1. Magnetic switch assembly | 2. Dust cover kit | 3. Shift lever set |
| 4. Center bracket (A) | 5. Yoke assembly | 6. Armature assembly |
| 7. Brush holder assembly | 8. Thrust washer | 9. Rear cover assembly |
| 10. Shaft gear assembly | 11. Packing | 12. Thrust washer |
| 13. Center bracket (P) | 14. E-ring | 15. Pinion assembly |
| 16. Pinion stopper | 17. Pinion stopper clip | 18. Gear case assembly |

 High-temperature grease point

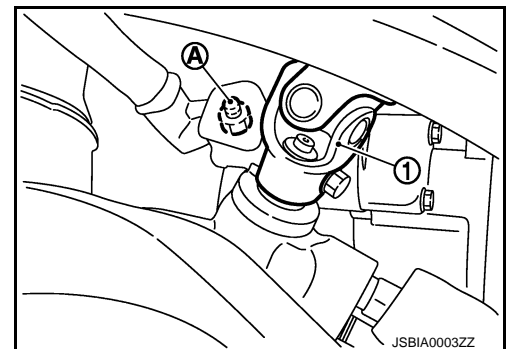
Refer to [GI-4, "Components"](#) for symbols not described on the above.

VQ37VHR : Removal and Installation (2WD)

INFOID:000000006067094

Removal

1. Disconnect the battery cable from the negative terminal. Refer to [PG-157, "Removal and Installation"](#).
2. Remove front undercover. Refer to [EXT-29, "FRONT UNDER COVER : Removal and Installation"](#).
3. Remove road wheel and tire (Front LH). Refer to [WT-68, "Removal and Installation"](#).
4. Disconnect steering lower joint (1), then remove it. Refer to [ST-39, "WITHOUT 4WAS : Removal and Installation"](#) (Without 4WAS) or [ST-41, "WITH 4WAS : Removal and Installation"](#) (With 4WAS).
5. Remove terminal B nut (A).



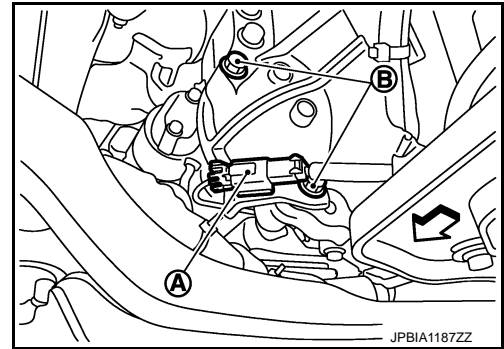
STARTER MOTOR

< REMOVAL AND INSTALLATION >

6. Disconnect connector S (A).

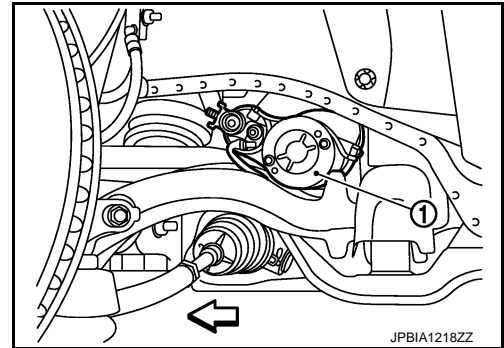
↔ : Vehicle front

7. Remove starter motor mounting bolts (B), using power tools.



8. Remove starter motor (1) from the side of the vehicle.

↔ : Vehicle front



INSTALLATION

Note the following item, and install in the reverse order of removal.

CAUTION:

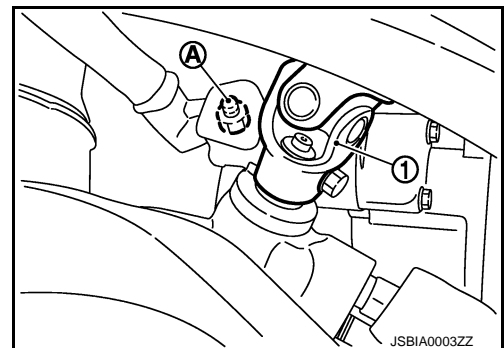
Be sure to tighten terminal B nut carefully.

VQ37VHR : Removal and Installation (AWD)

INFOID:000000006067095

Removal

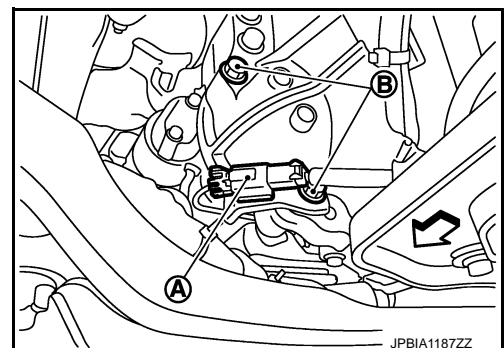
1. Disconnect the battery cable from the negative terminal. Refer to [PG-157, "Removal and Installation"](#).
2. Remove front undercover. Refer to [EXT-29, "FRONT UNDER COVER : Removal and Installation"](#).
3. Remove road wheel and tire (front LH). Refer to [WT-68, "Removal and Installation"](#).
4. Disconnect steering lower joint (1), and then remove it. Refer to [ST-39, "WITHOUT 4WAS : Removal and Installation"](#).
5. Remove terminal B nut (A).



6. Disconnect connector S (A).

↔ : Vehicle front

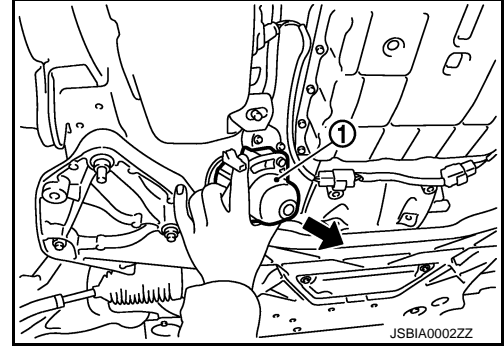
7. Remove starter motor mounting bolts (B), using power tools.



STARTER MOTOR

< REMOVAL AND INSTALLATION >

8. Remove exhaust mounting bracket. Refer to [EX-5, "VQ37VHR : Exploded View"](#).
9. Remove starter motor (1) downward from the vehicle.



INSTALLATION

Note the following item, and then install in the reverse order of removal.

CAUTION:

Be sure to tighten terminal B nut carefully.

VQ37VHR : Inspection

INFOID:000000006067096

INSPECTION AFTER DISASSEMBLY

Pinion/Clutch Check

1. Inspect pinion teeth.
 - Replace pinion if teeth are worn or damaged. (Also check condition of ring gear teeth.)
2. Inspect reduction gear teeth.
 - Replace reduction gear if teeth are worn or damaged. (Also check condition of armature shaft gear teeth.)
3. Check to see if pinion locks in one direction and rotates smoothly in the opposite direction.
 - If it locks or rotates in both directions, or unusual resistance is evident, replace.

VK56VD

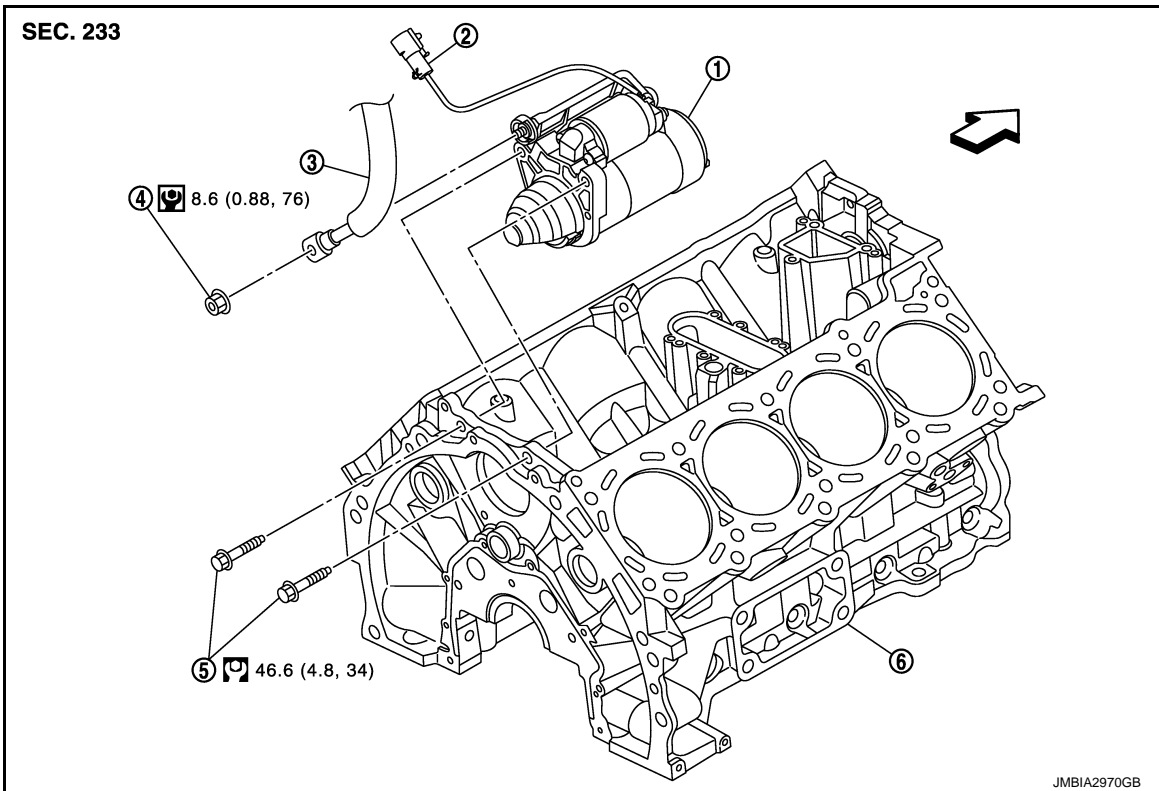
VK56VD : Exploded View

INFOID:000000006109270

REMOVAL

STARTER MOTOR

< REMOVAL AND INSTALLATION >



- | | | |
|-------------------|--------------------------------|-----------------------|
| 1. Starter motor | 2. Connector S | 3. Terminal B harness |
| 4. Terminal B nut | 5. Starter motor mounting bolt | 6. Cylinder block |

⇐: Engine front

Refer to [GI-4, "Components"](#) for symbols in the figure.

DISASSEMBLY

A

STR

C

D

E

F

G

H

I

J

K

L

M

N

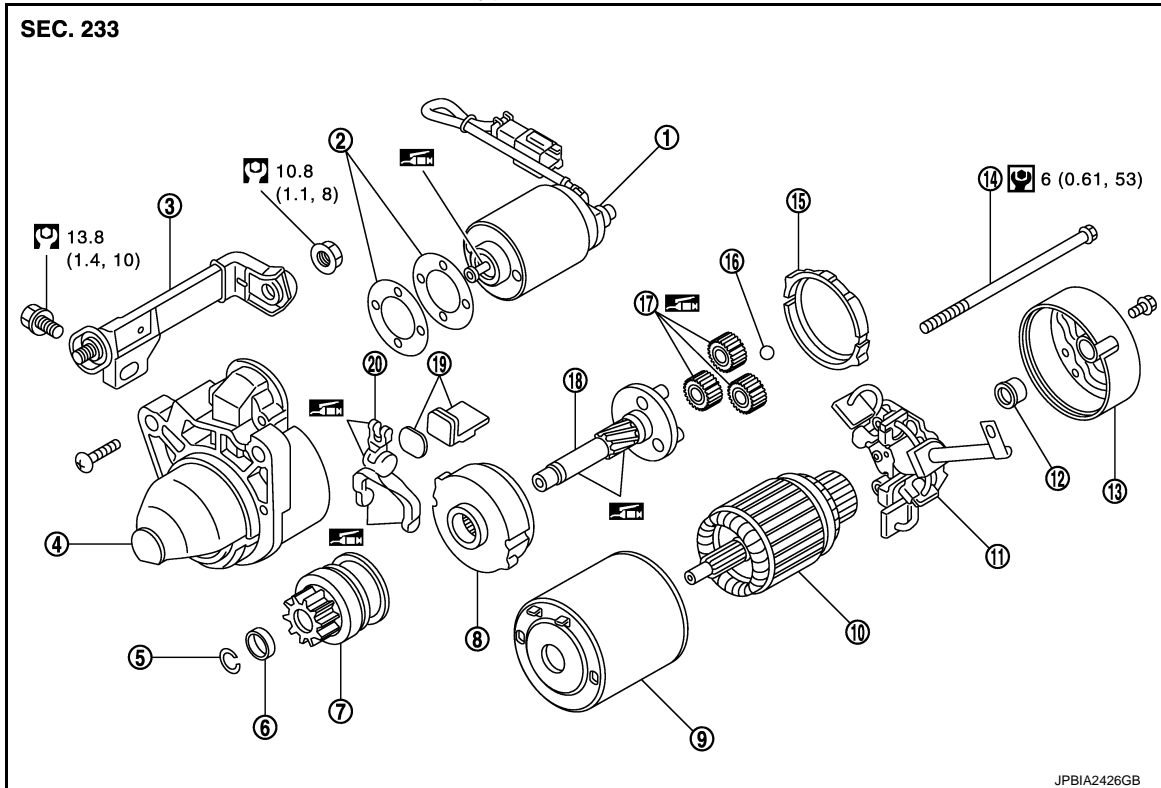
O

P

STARTER MOTOR

< REMOVAL AND INSTALLATION >

Type: M001T30671



- | | | |
|-----------------------------|---------------------------|---------------------------|
| 1. Magnetic switch assembly | 2. Adjusting plate | 3. "B" terminal extension |
| 4. Gear case assembly | 5. Stopper ring | 6. Stopper |
| 7. Pinion assembly | 8. Internal gear | 9. Yoke assembly |
| 10. Armature assembly | 11. Brush holder assembly | 12. Metal RR |
| 13. Rear cover | 14. Through bolt | 15. Packing |
| 16. Ball | 17. Planetary gear | 18. Gear shaft |
| 19. Dust cover kit | 20. Shift lever | |

 High-temperature grease point

Refer to [GI-4, "Components"](#) for symbols not described on the above.

VK56VD : Removal and Installation

INFOID:000000006109271

REMOVAL

1. Disconnect the battery cable from the negative terminal. Refer to [PG-157, "Removal and Installation"](#).
2. Remove engine cover. Refer to [EM-182, "Removal and Installation"](#).
3. Remove intake manifold. Refer to [EM-191, "Removal and Installation"](#).
4. Remove terminal B nut, and then terminal B harness.
5. Disconnect connector S.
6. Remove starter motor mounting bolts.
7. Remove starter motor upward from the vehicle.

INSTALLATION

Note the following item, and then install in the reverse order of removal.

CAUTION:

Be sure to tighten terminal B nut carefully.

VK56VD : Inspection

INFOID:000000006067099

INSPECTION AFTER DISASSEMBLY

STARTER MOTOR

< REMOVAL AND INSTALLATION >

Pinion/Clutch Check

1. Inspect pinion teeth.
 - Replace pinion if teeth are worn or damaged. (Also check condition of ring gear teeth.)
2. Inspect reduction gear teeth.
 - Replace reduction gear if teeth are worn or damaged. (Also check condition of armature shaft gear teeth.)
3. Check to see if pinion locks in one direction and rotates smoothly in the opposite direction.
 - If it locks or rotates in both directions, or unusual resistance is evident, replace.

A

STR

C

D

E

F

G

H

I

J

K

L

M

N

O

P

SERVICE DATA AND SPECIFICATIONS (SDS)

< SERVICE DATA AND SPECIFICATIONS (SDS)

SERVICE DATA AND SPECIFICATIONS (SDS)

SERVICE DATA AND SPECIFICATIONS (SDS)

Starter Motor

INFOID:000000006067100

Applied model		VQ37VHR	VK56VD
Type		S114-932	M001T30671
		HITACHI make	mitsubishi make
		Reduction gear type	
System voltage [V]		12	
No-load	Terminal voltage [V]	11	
	Current [A]	Less than 110	Less than 120
	Revolution [rpm]	More than 2,700	More than 3,220
Minimum diameter of commutator [mm (in)]		28.0 (1.102)	28.8 (1.134)
Minimum length of brush [mm (in)]		10.5 (0.413)	10.0 (0.394)
Brush spring tension [N (kg, lb)]		16.2 (1.65, 3.6)	23.4 - 31.6 (2.4, 5.3 - 3.2, 7.1)
Clearance between bearing metal and armature shaft [mm (in)]		Less than 0.2 (0.008)	
Clearance between pinion front edge and pinion stopper [mm (in)]		0.3 - 2.5 (0.012 - 0.098)	0.5 - 2.0 (0.02 - 0.079)