

SECTION **PWO**
POWER OUTLET

A
B
C
D
E
F
G
H
I
J
K
L
N
O
P

CONTENTS

PRECAUTION	2	POWER SOCKET	5
PRECAUTIONS	2	Wiring Diagram	5
Precaution for Supplemental Restraint System (SRS) "AIR BAG" and "SEAT BELT PRE-TENSIONER"	2	REMOVAL AND INSTALLATION	7
WIRING DIAGRAM	3	CIGARETTE LIGHTER	7
CIGARETTE LIGHTER	3	Exploded View	7
Wiring Diagram	3	Removal and Installation	7
		POWER SOCKET	8
		Exploded View	8
		Removal and Installation	8

PWO

PRECAUTIONS

< PRECAUTION >

PRECAUTION

PRECAUTIONS

Precaution for Supplemental Restraint System (SRS) "AIR BAG" and "SEAT BELT PRE-TENSIONER"

INFOID:000000006056693

The Supplemental Restraint System such as "AIR BAG" and "SEAT BELT PRE-TENSIONER", used along with a front seat belt, helps to reduce the risk or severity of injury to the driver and front passenger for certain types of collision. This system includes seat belt switch inputs and dual stage front air bag modules. The SRS system uses the seat belt switches to determine the front air bag deployment, and may only deploy one front air bag, depending on the severity of a collision and whether the front occupants are belted or unbelted. Information necessary to service the system safely is included in the "SRS AIR BAG" and "SEAT BELT" of this Service Manual.

WARNING:

- To avoid rendering the SRS inoperative, which could increase the risk of personal injury or death in the event of a collision that would result in air bag inflation, all maintenance must be performed by an authorized NISSAN/INFINITI dealer.
- Improper maintenance, including incorrect removal and installation of the SRS, can lead to personal injury caused by unintentional activation of the system. For removal of Spiral Cable and Air Bag Module, see the "SRS AIR BAG".
- Do not use electrical test equipment on any circuit related to the SRS unless instructed to in this Service Manual. SRS wiring harnesses can be identified by yellow and/or orange harnesses or harness connectors.

PRECAUTIONS WHEN USING POWER TOOLS (AIR OR ELECTRIC) AND HAMMERS

WARNING:

- When working near the Air Bag Diagnosis Sensor Unit or other Air Bag System sensors with the ignition ON or engine running, DO NOT use air or electric power tools or strike near the sensor(s) with a hammer. Heavy vibration could activate the sensor(s) and deploy the air bag(s), possibly causing serious injury.
- When using air or electric power tools or hammers, always switch the ignition OFF, disconnect the battery, and wait at least 3 minutes before performing any service.

CIGARETTE LIGHTER

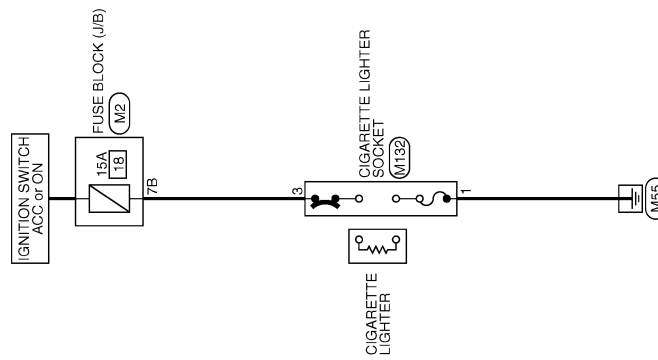
< WIRING DIAGRAM >

WIRING DIAGRAM

CIGARETTE LIGHTER

Wiring Diagram

INFOID:000000005987056



CIGARETTE LIGHTER

2010/02/03

JCMWA5527GB

PWO

CIGARETTE LIGHTER

< WIRING DIAGRAM >

CIGARETTE LIGHTER

Connector No.	M2
Connector Name	FUSE BLOCK (L/E)
Connector Type	NSUDPW-GS



4B	3B	2B	1B
10B	9B	8B	7B
6B	5B	4B	3B

Terminal No.	Color of Wire	Signal Name (Specification)
1B	B	-
3B	P	-
4B	G	-
5B	SB	-
6B	Y	-
7B	P	-
8B	R	-
9B	R	-

Connector No. M132

Connector Name CIGARETTE LIGHTER SOCKET

Connector Type NSD2PW-GS



3	2	1
---	---	---

Terminal No.	Color of Wire	Signal Name (Specification)
1	B	-
2	R	-
3	P	-

JCMWA5528GB

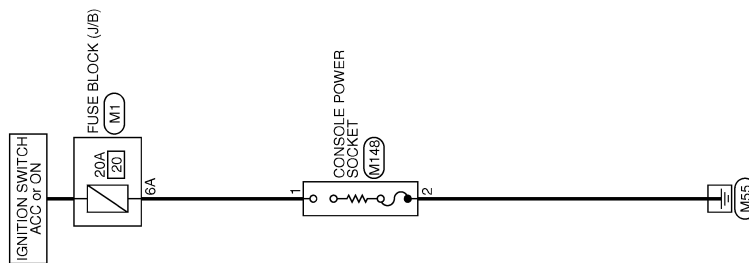
POWER SOCKET

< WIRING DIAGRAM >

POWER SOCKET

Wiring Diagram

INFOID:000000005987057



POWER SOCKET

PWO

2010/02/03

JCMWA5529GB

POWER SOCKET

< WIRING DIAGRAM >

POWER SOCKET

Connector No.	M1
Connector Name	FUSE BLOCK (L/E)
Connector Type	HS08FW-M2



Terminal No.	Color of Wire	Signal Name [Specification]
1A	R	-
2A	W	-
3A	Y	-
4A	W	-
5A	V	-
6A	Y	-
8A	Y	-

Connector No.	M148
Connector Name	CONSOLE POWER SOCKET
Connector Type	F02FB-Z



Terminal No.	Color of Wire	Signal Name [Specification]
1	Y	-
2	B	-

JCMWA5530GB

CIGARETTE LIGHTER

< REMOVAL AND INSTALLATION >

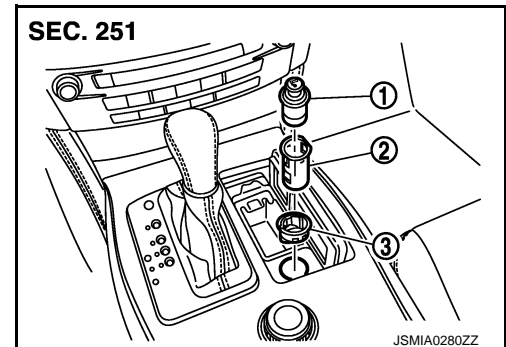
REMOVAL AND INSTALLATION

CIGARETTE LIGHTER

Exploded View

INFOID:000000005987058

- 1 : Cigarette lighter
- 2 : Cigarette lighter socket
- 3 : Cigarette lighter ring

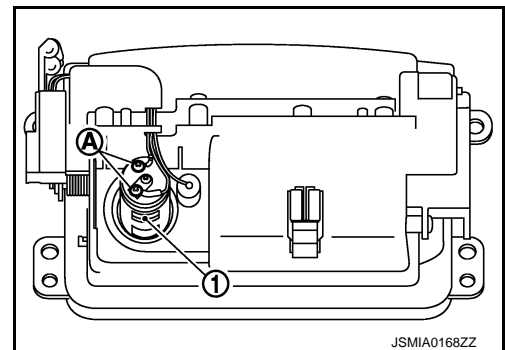


Removal and Installation

INFOID:000000005987059

REMOVAL

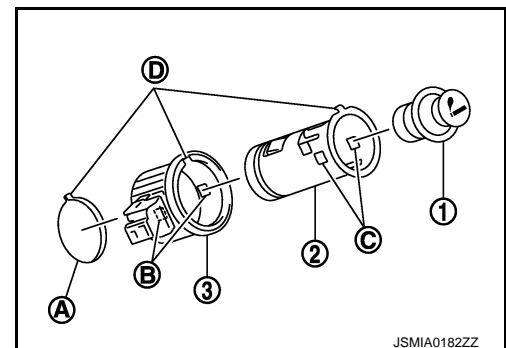
1. Remove console finisher assembly. Refer to [IP-23, "Exploded View"](#).
2. Remove the screws (A) from reverse side cigarette lighter socket (1).



3. Pull out cigarette lighter (1).

- A : Hole for cigarette lighter
(Console finisher assembly)
- D : Cut out

4. Pull out cigarette lighter socket (2) by pushing the cigarette lighter ring pawl (B) from the cigarette lighter socket hole (square) (C).
5. Remove cigarette lighter ring (3) from console finisher assembly while pressing pawls.



INSTALLATION

Install in the reverse order of removal.

NOTE:

Align the cut outs of cigarette lighter socket, cigarette lighter ring and console finisher assembly.

POWER SOCKET

< REMOVAL AND INSTALLATION >

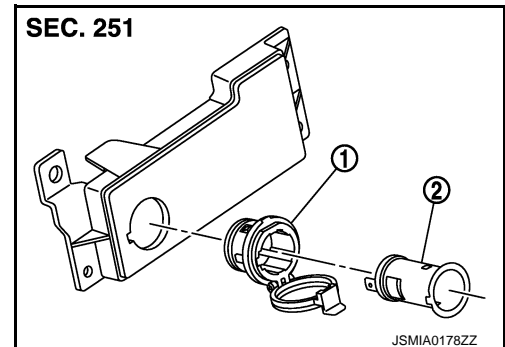
POWER SOCKET

Exploded View

INFOID:000000005987060

FRONT POWER SOCKET

- 1 : Ring
- 2 : Inner socket



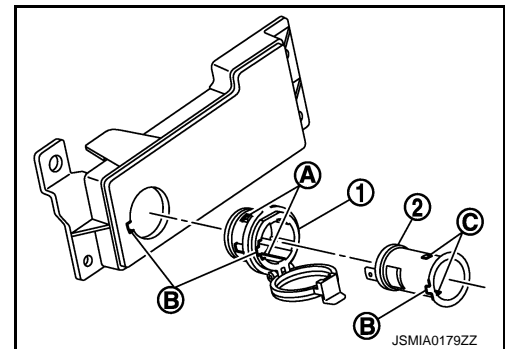
Removal and Installation

INFOID:000000005987061

REMOVAL

1. Remove console finisher assembly. Refer to [IP-23, "Exploded View"](#).
2. Disconnect power socket connector.
3. Remove console center finisher. Refer to [IP-23, "Exploded View"](#).
4. Pull out inner socket (2) by pushing the ring pawl (A) from the inner socket hole (square) (C).
5. Remove ring (1) from console center finisher while pressing pawls.

- B : Cut out



INSTALLATION

Install in the reverse order of removal.

NOTE:

Align the cut outs of inner socket, ring and console center finisher.